



HD Intelligent Pedestrian Detection Camera



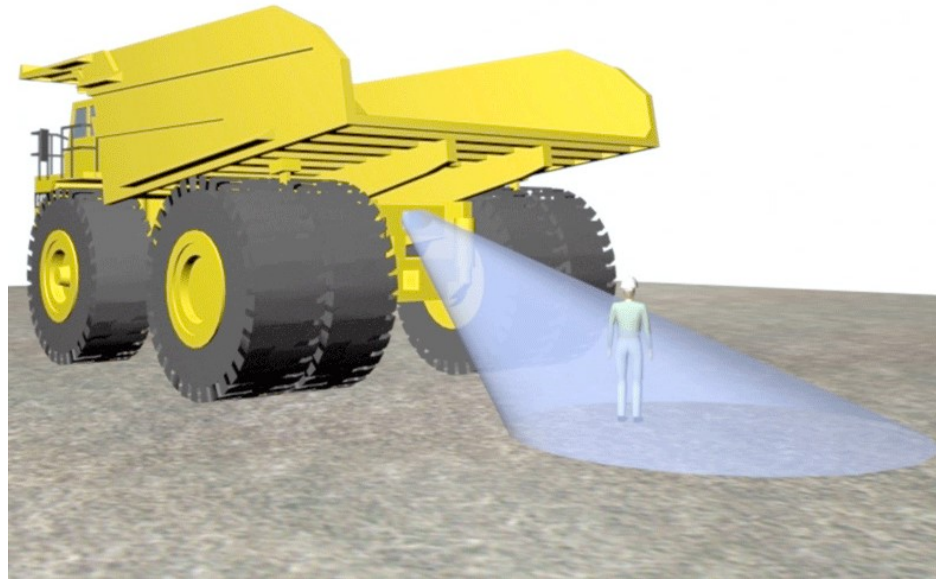
HEMM operating environments

- Pedestrians
- Blind spots
- Mine Benches
- Operate 3 shifts per day
- Turning radius etc




Pedestrians Alert?

- Pedestrians contribute to accidents
- Pedestrians do not understand stopping distances etc



Existing Technologies for Safety

- Rear View Camera
 - Only Visual ..No audible alerts
 - Proximity Anti-Collision Devices
 - Most of the times false alarms
 - Not able to distinguish b/w the pedestrian and the wall
 - Danger Zone Warning Lights
 - No alerts for operator
 - Radio Frequency using RFID tags
 - Poor handling of safety zone
 - Too many false alarms
- 

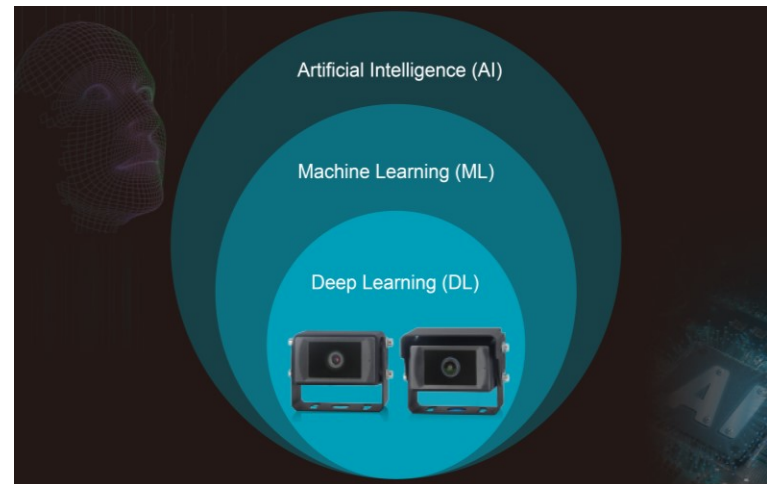
What should be an ideal solution?

In order to solve all the problems above, you need a HD AI intelligent, high detection accuracy pedestrian detection camera!



AI based Pedestrian Algorithm

Artificial intelligent (AI) pedestrian detection system adopts deep learning technology, contributing to the realization of intelligent and accurate pedestrian detection



Why AI based Camera solutions in safety?

- AI pedestrian detection camera is a device aiming to greatly enlarge the drivers and operators field of vision.
- It can not only quickly detect pedestrians, also provide warning information to drivers in real time, with an add-on audible alarm to pedestrians



Features of Sri Vintec AI cameras?

- Easy installation and Operation
- Waterproof/Dustproof rating: IP69K, with anti-vibration of 5.9G
- Pedestrian detection: pedestrians in the range of 0.5m-20m/0.5m-12m



Features of Sri Vintec AI cameras?

- ❑ Full high definition 1080P video output (overlaid with pedestrian tracking and warning box)
- ❑ Audio alarm output, can be connected to monitors or other devices with loudspeaker





Specifications

	Side View	Rear View
Supply Voltage	DC10V~32V	
Consumption (12V IN)	150mA(IR light off)	
	700mA(IR light on)	
Video Format	AHD(1.0Vp-p, 75Ohm)	
Video Output	25 or 30	
Resolution	1920 x 1080P	
Lens / Horizontal Viewing Angle	6mm / 52°	2.3mm / 140°
Audio Output	Warning sound signal output	
Communication Interface	USB 2.0(for software upgrade)	
Cable Length	3m	
Working Temperature	-20 ~ +70°C	
Storage Temperature	-30 ~ +80°C	
Waterproof Rating	IP69K	
Dimension	97.5 x 67.3 x 66.5(mm)	97.5 x 75.3 x72(mm)
Weight	355g	470g
Housing Color	Black	
Detection distance	0.5 ~ 20m	0.5 ~ 12m

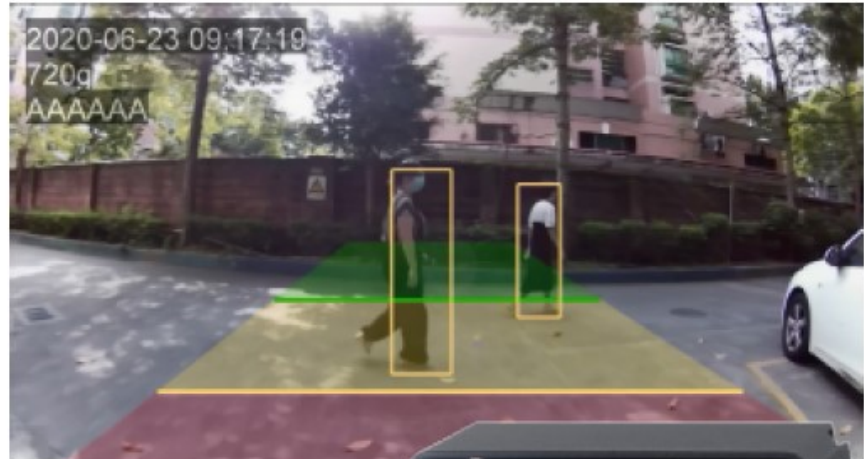




Side View and Rear View



Side View
Viewing Angle 52°

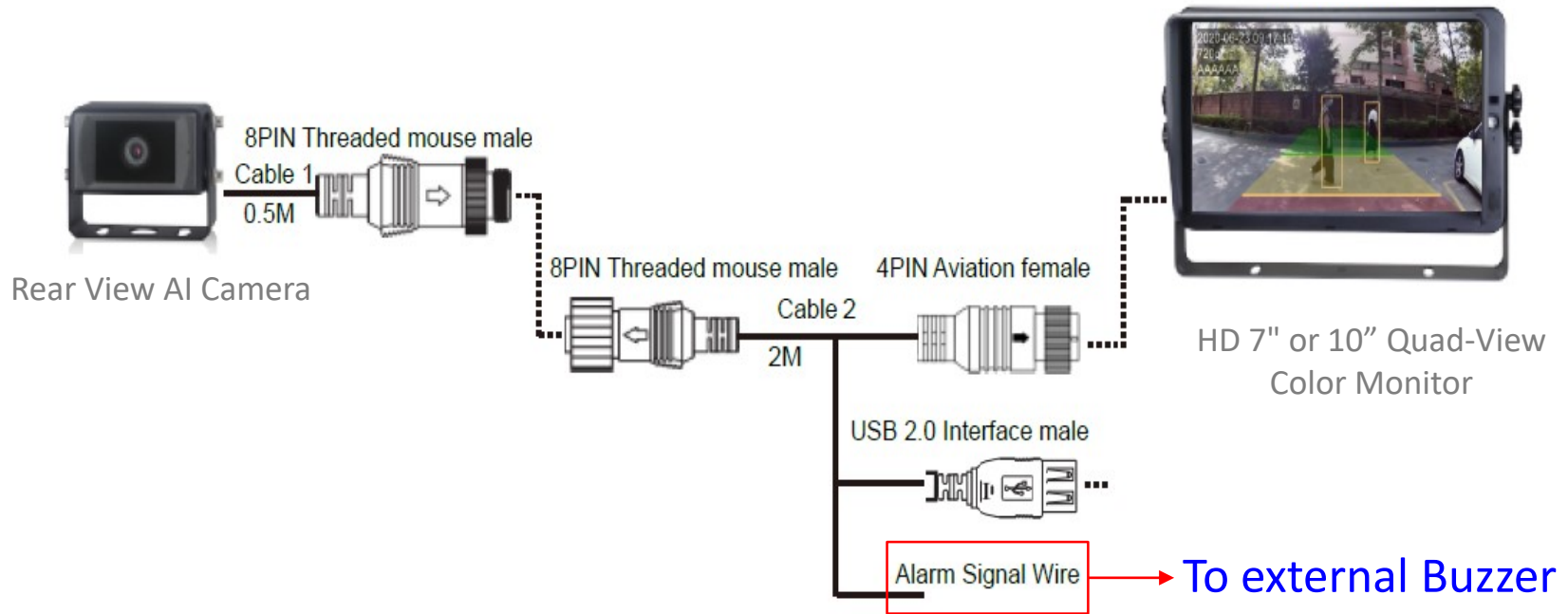


Rear View
Viewing Angle 140°





Schematic Layout and features



- Up to 4 AI cameras can be connected to single monitor with quad view
- Our AI camera has 3 detection zones (red, yellow, green), and each zone can be calibrated the length/ width/ shape as per the site requirements
- Our monitor supports multiple formats PAL / NTSC / HD(720P/1080P)





Please contact us



M/s SRI VINTEC
PLOT NO. 238, FLAT NO. 302,
SRI NIDHI HOMES , MITHILA NAGAR,
PRAGATHI NAGAR, HYDERABAD,
TELANGANA, INDIA - 500090

Email: sales@srivintec.com

Contact : +91 - 9849521110



