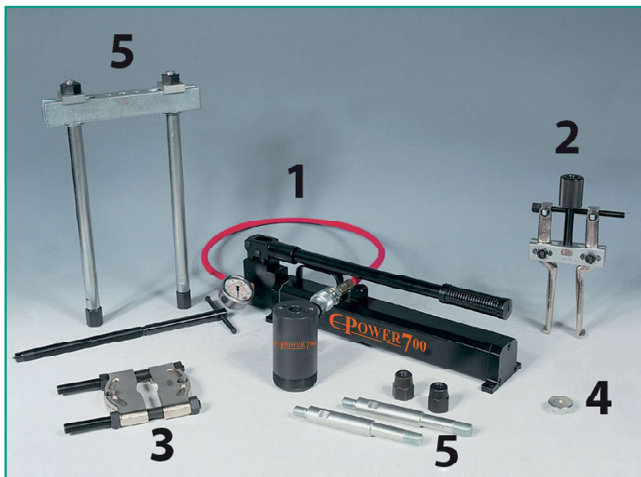


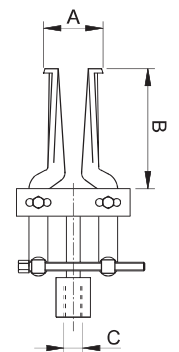
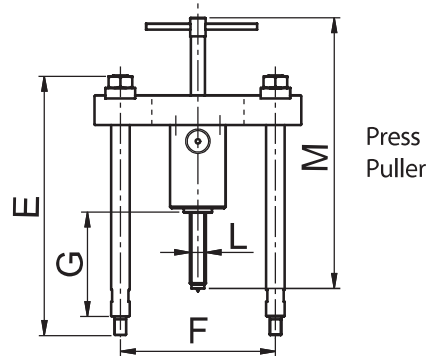
Hydraulic Press Puller Sets

UET Series

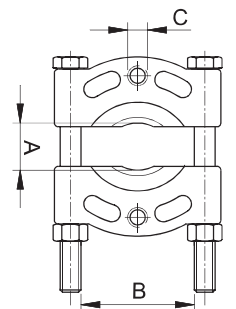


Capacity:
10 – 20 – 30 – 50 tonnes

Maximum Operating Pressure:
(Refer Data Charts)



Internal Puller UEI



External Puller UEE

SELECTION CHART FOR PRESS PULLERS

		MODEL											
Capacity - Tonnes (t):		10		20		30		50					
Description		UET10		UET20		UET30		UET50					
HYDRAULICS UEU#	* Pos.												
Hand Pump	1	PN131		PN141		PN141		PN162					
Cylinder		CMF10N50E		CMF20N50E		CMF30N50E		CMF60N75E					
Hose		SN20M		SN20M		SN20M		SN20M					
Pressure Gauge		G106L		G106L		G106L		G106L					
Max. Operating Pressure	-	560bar		600bar		615bar		580bar					
MECHANICAL PARTS UET#M	* Pos.												
Internal Puller	2	UEI10		UEI20		UEI30		UEI50					
External Puller	3	UEE10		UEE20		UEE30		UEE50					
Protection Saddle	4	UETS10		UETS20		UETS30		UETS50					
Number of Legs	5	2	2	2	2	2	2	2	2	2	2	2	2
Leg Length (mm)	E	209	460	209	336	515	665	328	582	836	820	1075	
Maximum Reach (mm)	G	-21	230	-56	71	250	400	4	258	512	399	655	
Minimum Spread (mm)	Fmin.	115		135		180		230					
Maximum Spread (mm)	Fmax.	260		345		440		580					
Adjusting Screw Thread	L	3/4" - 16 UNF		1" - 8 UNC		1 1/4" - 7 UNC		1 5/8" - 5,5 UNC					
Adjusting Screw Length	M	400		670		790		975					
Weight	kg	13		32		55		115					

* Pos.: Position as shown on illustrated picture & jaw puller drawings.

INTERNAL PULLER UEI

MODEL	Force Pressure		Dimensions (mm)					Weight kg
	t	bar	A min.	A max.	B	C		
UEI10	5	280	32	90	110	3/4" - 16 UNF	2	
UEI20	10	300	33	120	140	1" - 8 UNC	2,5	
UEI30	15	310	58	190	145	1 1/4" - 7 UNC	6	
UEI50	25	290	58	190	145	1 5/8" - 5,5 UNC	6	

EXTERNAL PULLER UEE

MODEL	Force Pressure		Dimensions (mm)					Weight kg
	t	bar	A min.	A max.	B	C		
UEE10	7	370	10	110	110	5/8" - 18 UNF	2,5	
UEE20	13	400	17	245	260	5/8" - 18 UNF	5,5	
UEE30	20	410	17	245	260	1" - 14 UNF	25	
UEE50	33	385	17	245	260	1 1/4" - 12 UNF	25	