

# Micro Electric-Hydraulic Power Pumps (Single-Speed)

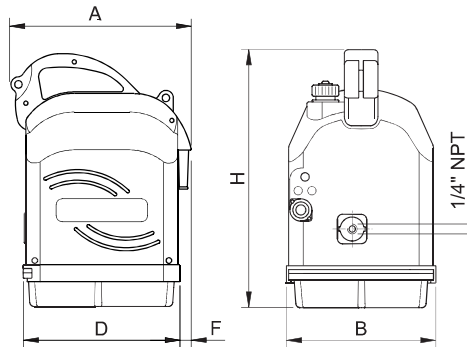
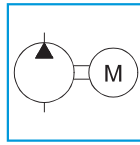
## MC Series

Reservoir Capacity:  
**1,0 litres**

Oil Delivery at Rated Pressure:  
**0,21 litre/min.**

Motor Size:  
**0,25 kW (0,34 hp)**

Maximum Operating Pressure:  
**700 bar (10,000 psi)**



**ZMT** – Shoulder Carrying Belt (Optional)

- Compact and lightweight design for maximum portability.
- Single-stage power pump specifically designed for operating small cylinders or tools at ease.
- 3-way 2-position solenoid control.
- 3m remote control switch (24 VAC).
- Plastic casing with easy-carry handle.
- Durable plastic tank.
- Oil level indicator.
- Equipped with pressure relief valve.
- Starts at full load.

Other Working Pressure of 500 bar available upon request.

### SELECTION CHART

Maximum Pressure	Delivery at Minimum Pressure	Delivery at Maximum Pressure	Reservoir Capacity	Usable Oil Volume	MODEL	Dimensions (mm)					Weight
						A	B	D	F	H	
bar	l/min	l/min	litres	litres							
700	0,32	0,21	1,0	0,8	MC71 MC72 MC73	245	197	212	15	345	9

**0,25 kW Induction Motor: 230V/50Hz/Single-phase.**

- Motors with 110V/60Hz/Single-phase available upon request.

### FUNCTION CHART

MODEL	For use with Cylinder Tool	Remote Control Function	Symbol
MC71	Single-acting	Advance - Return (1 push button)	
MC72		Advance - Hold - Return (2 push buttons)	
MC73		Advance - Return (1 push button) Integrated control located at the end of the hose assembly	