

EP POWER 700

EP – Self-contained Hydraulic Pullers 2 & 3 Jaws Combination Pullers

Capacity:

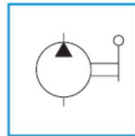
4 to 30 Ton

Maximum Reach:

185 – 360 mm

Maximum Spread:

255 – 550 mm



EP-1200



EP-3000

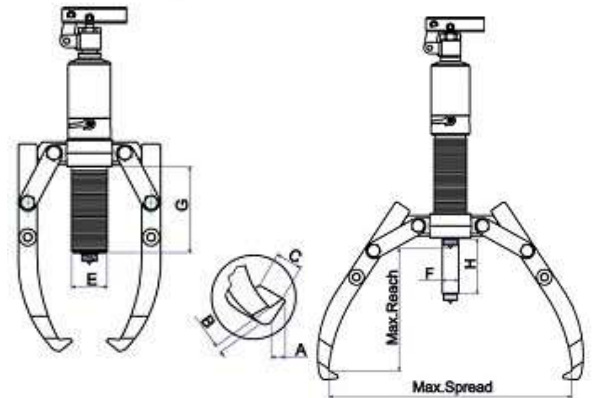


EP-600



DESCRIPTION

- Self-contained hydraulic pump & puller body with integral safety valve for overloading protection.
- 2/3 jaws combination puller cross head plated for corrosion resistance and durability.
- Removable & foldable 4-stage handle.
- 360° rotary handle socket for all directional pumping.
- Easily release control valve.
- Removable spring-loaded live centring cone for easy positioning.
- Heat-treated & chrome-plated hydraulic cylinder rod provides linear force.
- Optional extension rods allow user to extend the stroke according to requirement.
- Supplied with sturdy carrying case.
- Ideal for removing gears, bearings, bushings, pulleys & other press-fitted parts.



The harder the pulling force, the tighter the jaws grip the workpiece

MODEL	Capacity	Reach Max.	Spread Max.	Stroke (mm)	Jaw Tip (mm)			Pump Tip (mm)			Weight (kg)	Long Jaw (Optional)
		(mm)	(mm)	H	A	B	C	E	F	G		
EP-400	4 Ton	185	255	60	11	6	22	42	22	84	4.5	EC-0948
EP-600	6 Ton	220	330	70	13	10	22	45	23	94	5.5	EC-0949
EP-800	8 Ton	230	350	85	11	10	25	50	25	122	6.5	EC-0950
EP-1200	12 Ton	270	375	85	14	10	29	60	28	118	8.0	EC-0951
EP-2000	20 Ton	360	520	111	20	27	33	80	40	160	22	EC-0960
EP-3000	30 Ton	360	550	111	20	27	38	98	50	155	32	EC-0961

A PRODUCT OF EURO POWER HYDRAULICS PTE LTD , SINGAPORE

Marketed and Distributed by : SRI VINTEC, Plot #238, Flat #302, Sri Nidhi Homes, Mithila Nagar, Pragati Nagar Hyderabad, Telangana - 500 090 • Tel: 040-358 25879 • Mobile: +91-9849521110 • Email: sales@srivintec.com
 WWW.EUROPOWER700.COM